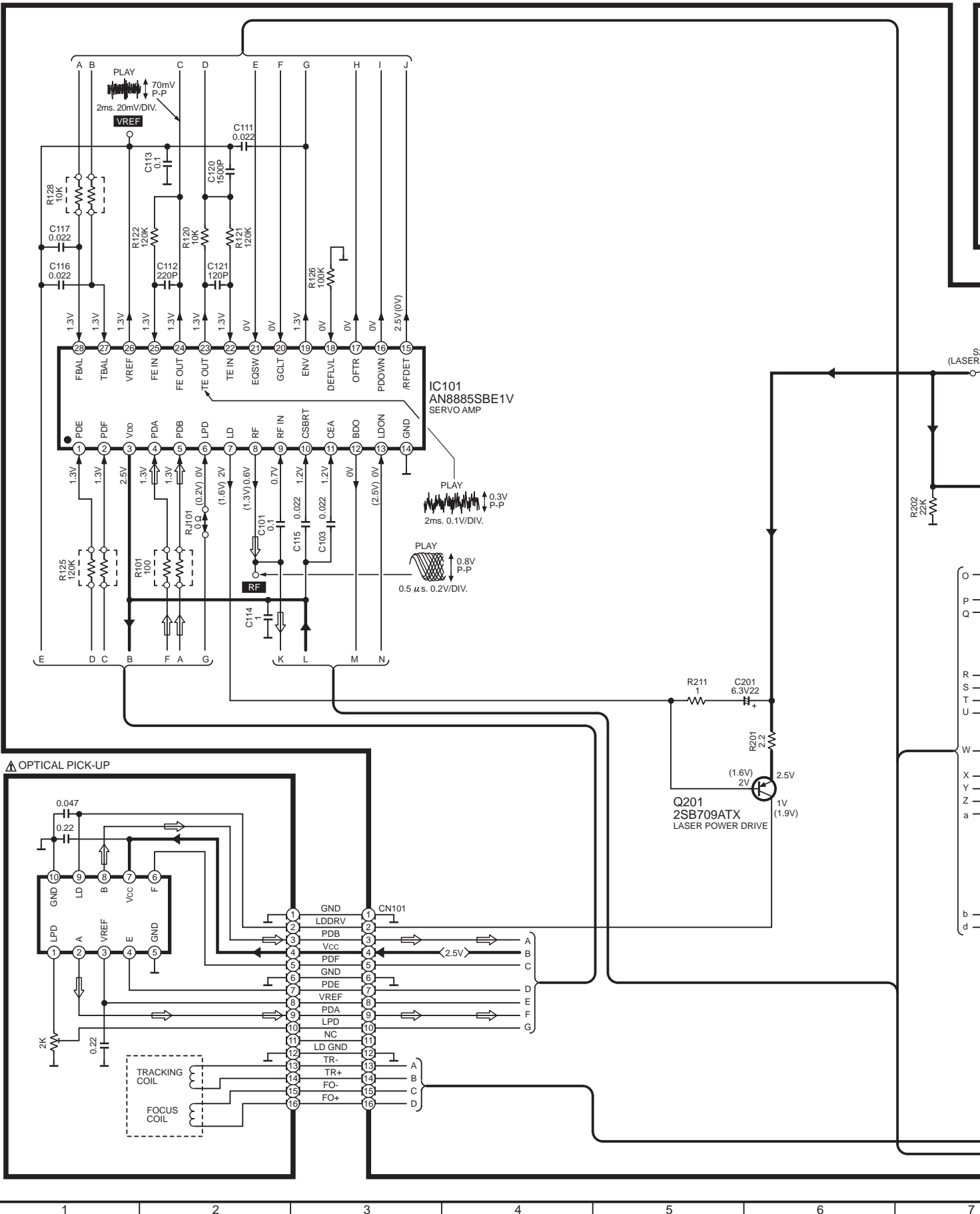
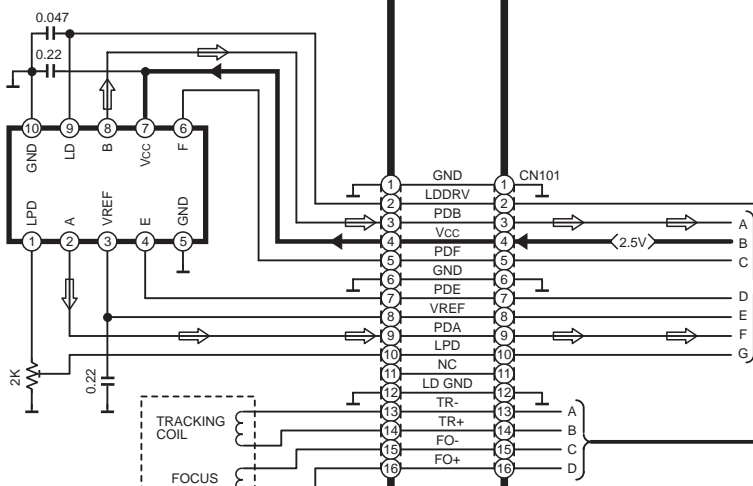


→ : POSITIVE VOLTAGE LINE ⇨ : PLAYBACK SIGNAL LINE

H
G
F
E
D
C
B
A



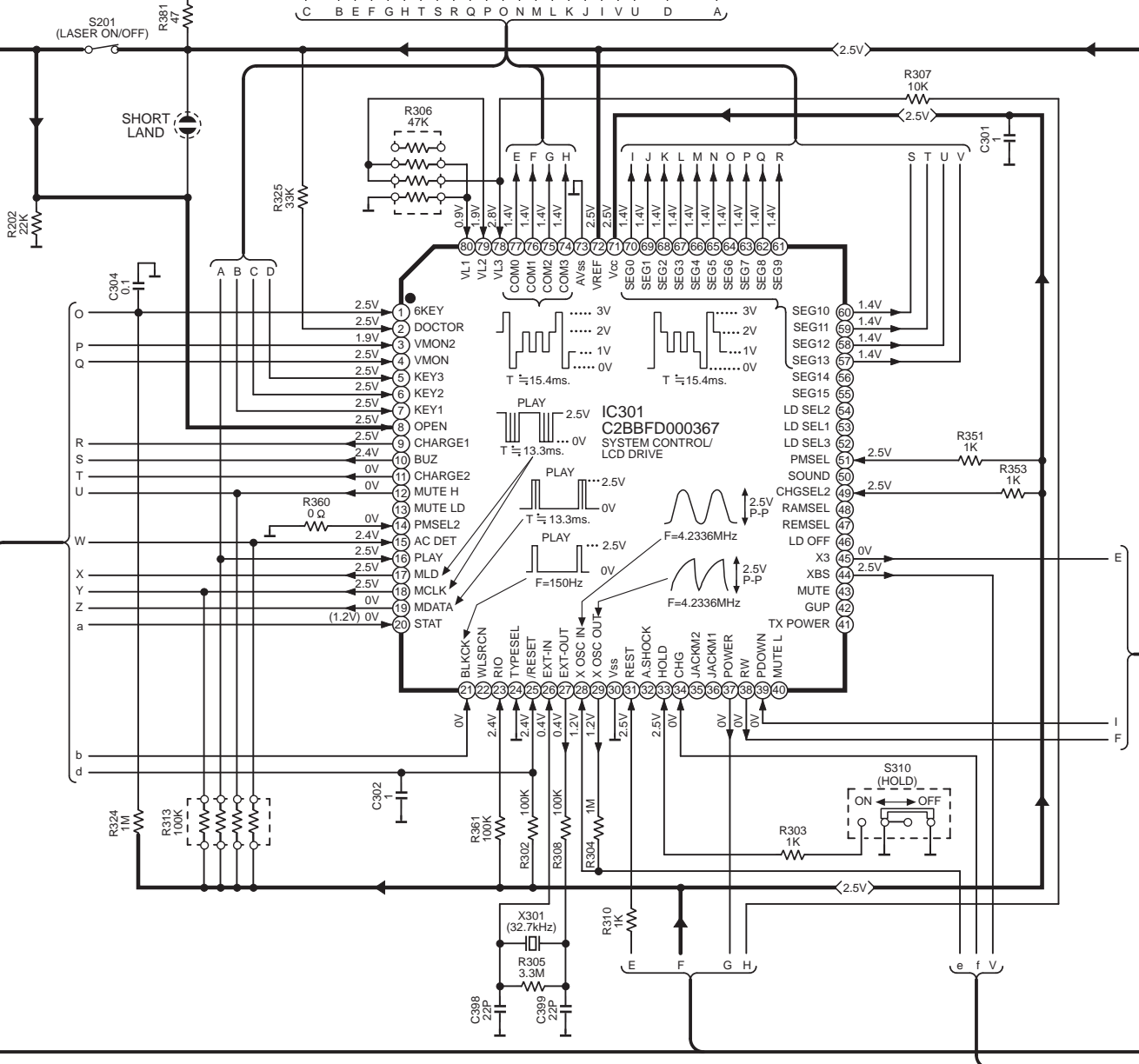
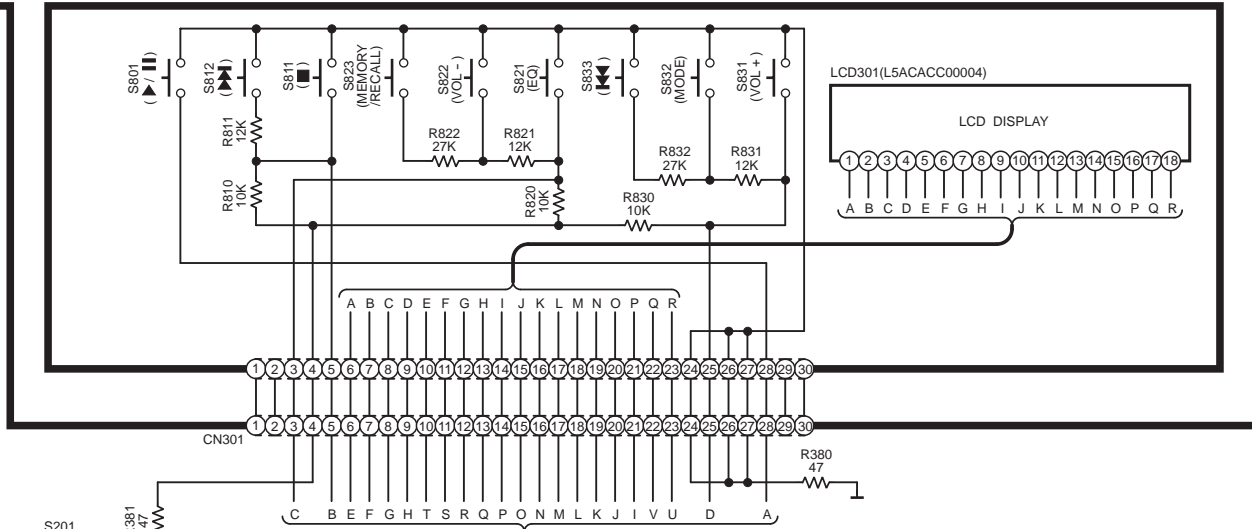
OPTICAL PICK-UP

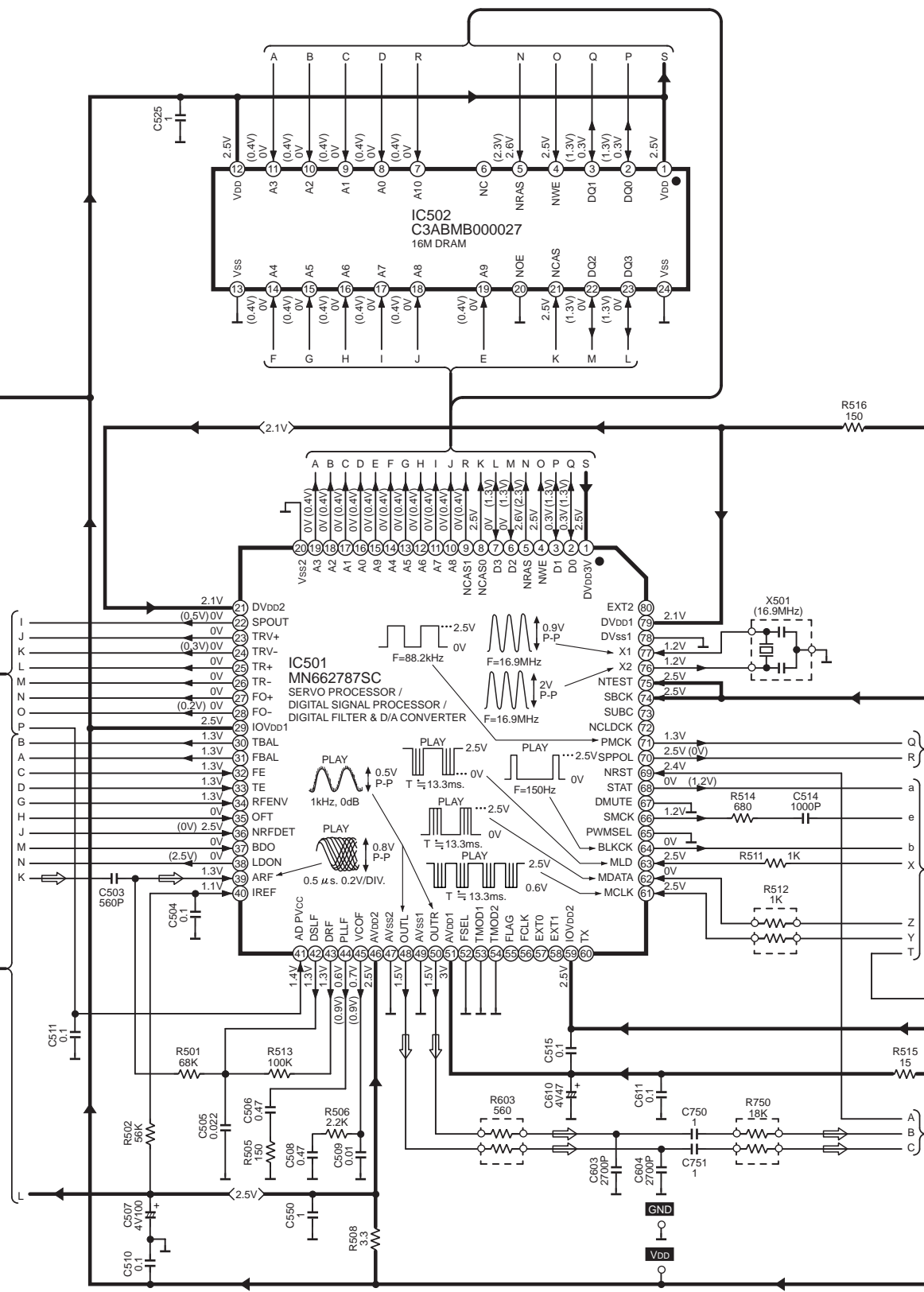


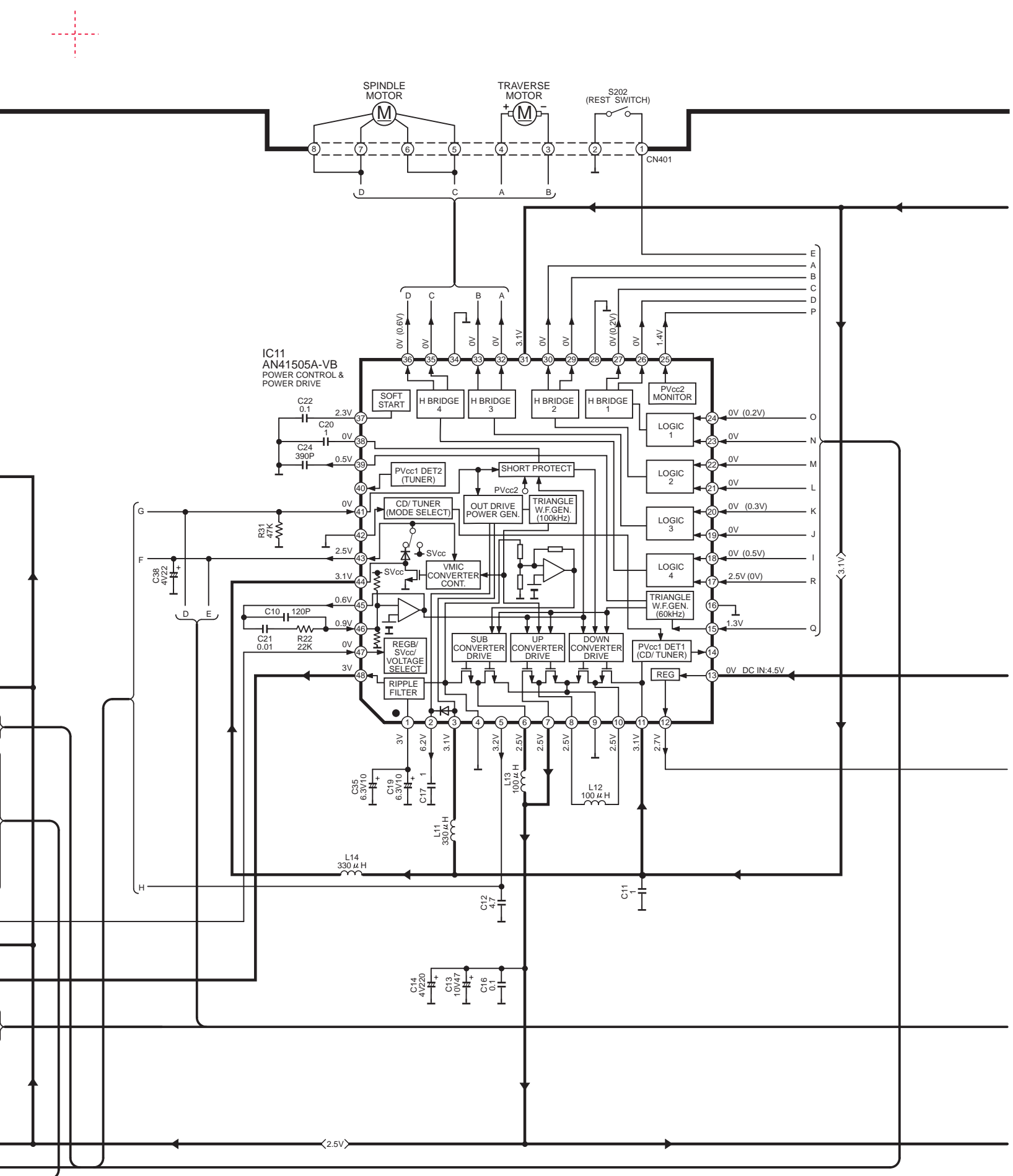
1 2 3 4 5 6 7

S8
S20 (LASER)
R202 22K
O
P
Q
R
S
T
U
W
X
Y
Z
a
b
c
d

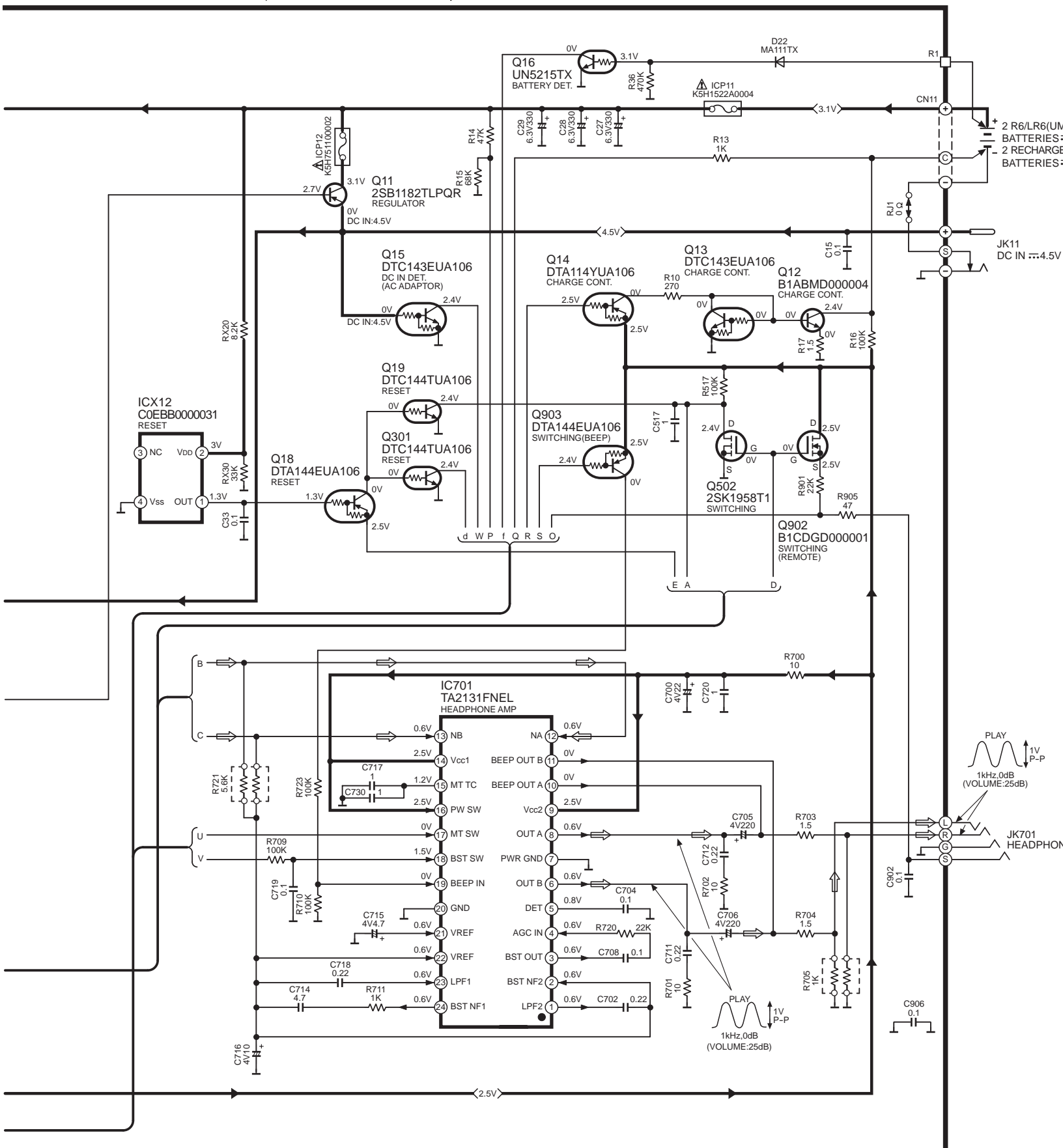
S801 OPERATION & LCD UNIT(K0RE00900007)



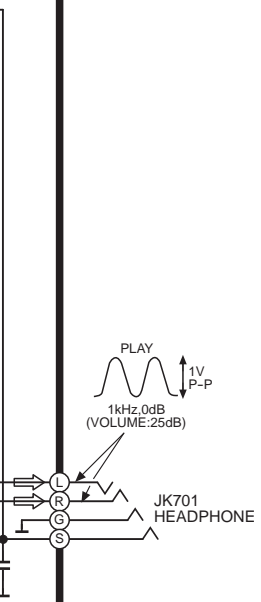
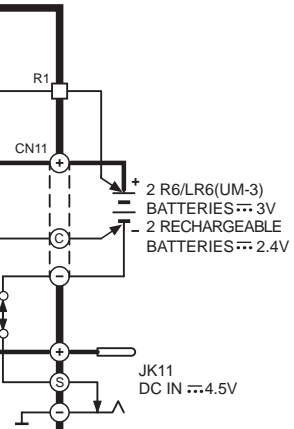




→ : POSITIVE VOLTAGE LINE ⇨ : PLAYBACK SIGNAL LINE



SL-CT490(EB,EG) CIRCUIT DIAGRAM



AGRAM

H

G

F

E

D

C

B

A

